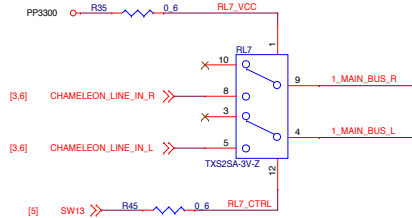
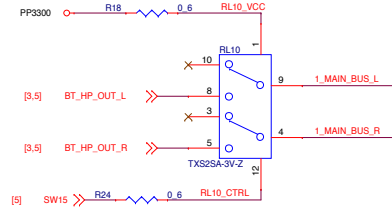


Relays For Bus1

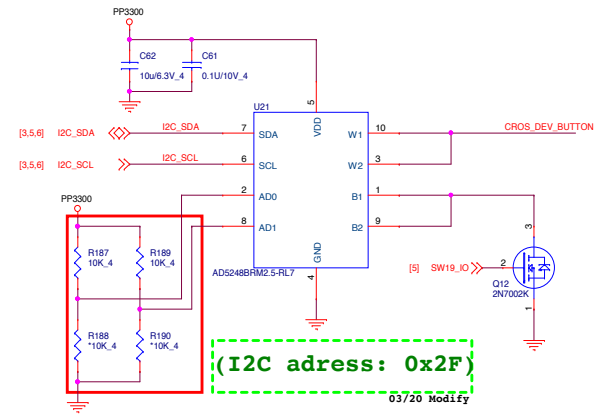
SW13 For Line in



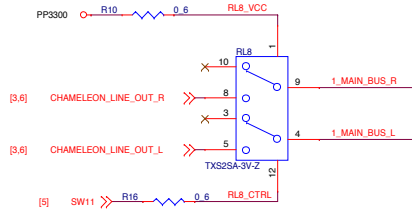
SW15 For BT_HP



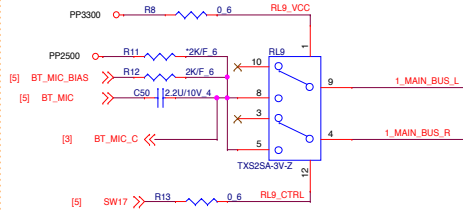
Digital Potentiometers



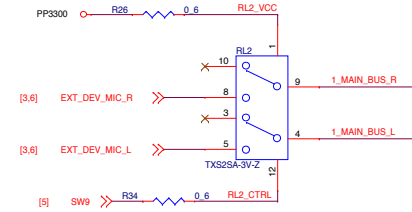
SW11 For Line out



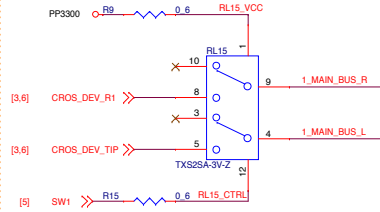
SW17 For BT_MIC



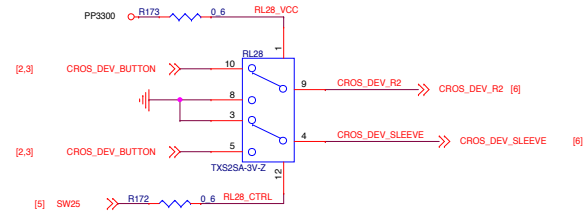
SW9 For MIC



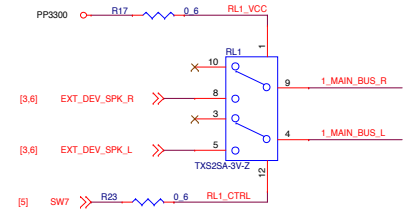
SW1 For Cross Device Jack



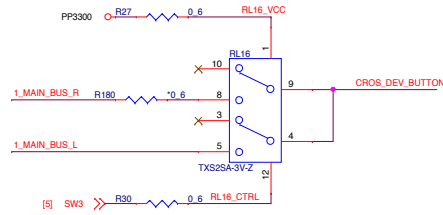
Mux



SW7 For SPK

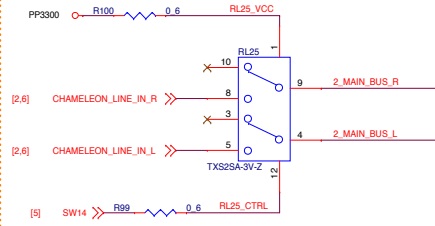


SW3 For CROS_DEV_BUTTON

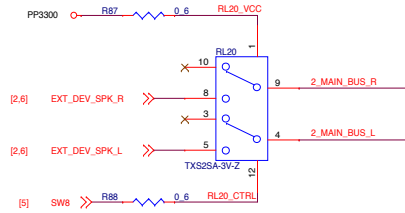


Relays For Bus2

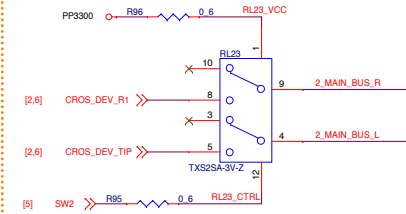
SW14 For Line in



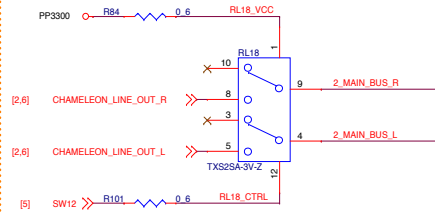
SW8 For SPK



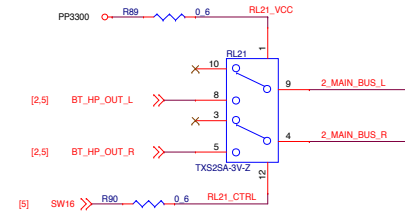
SW2 For Cross Device Jack



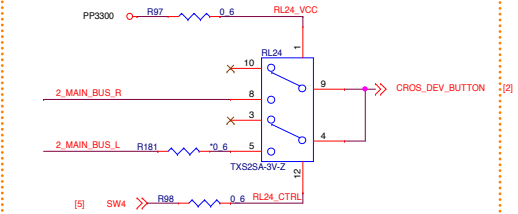
SW12 For Line out



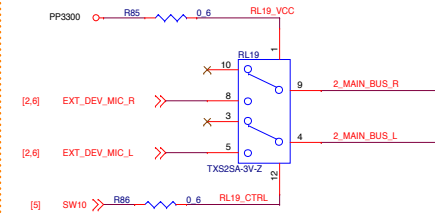
SW16 For BT_HP



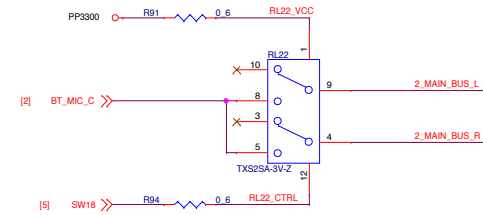
SW4 For CROS_DEV_BUTTON



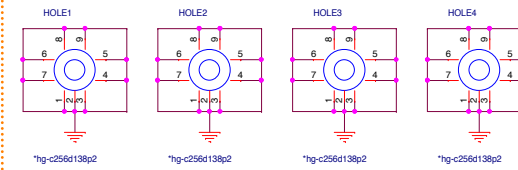
SW10 For MIC



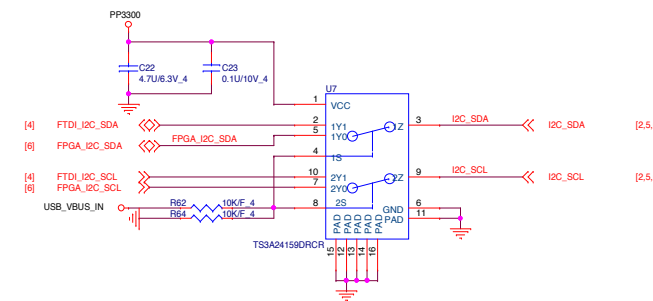
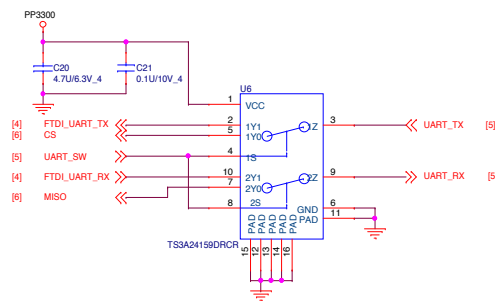
SW18 For BT_MIC



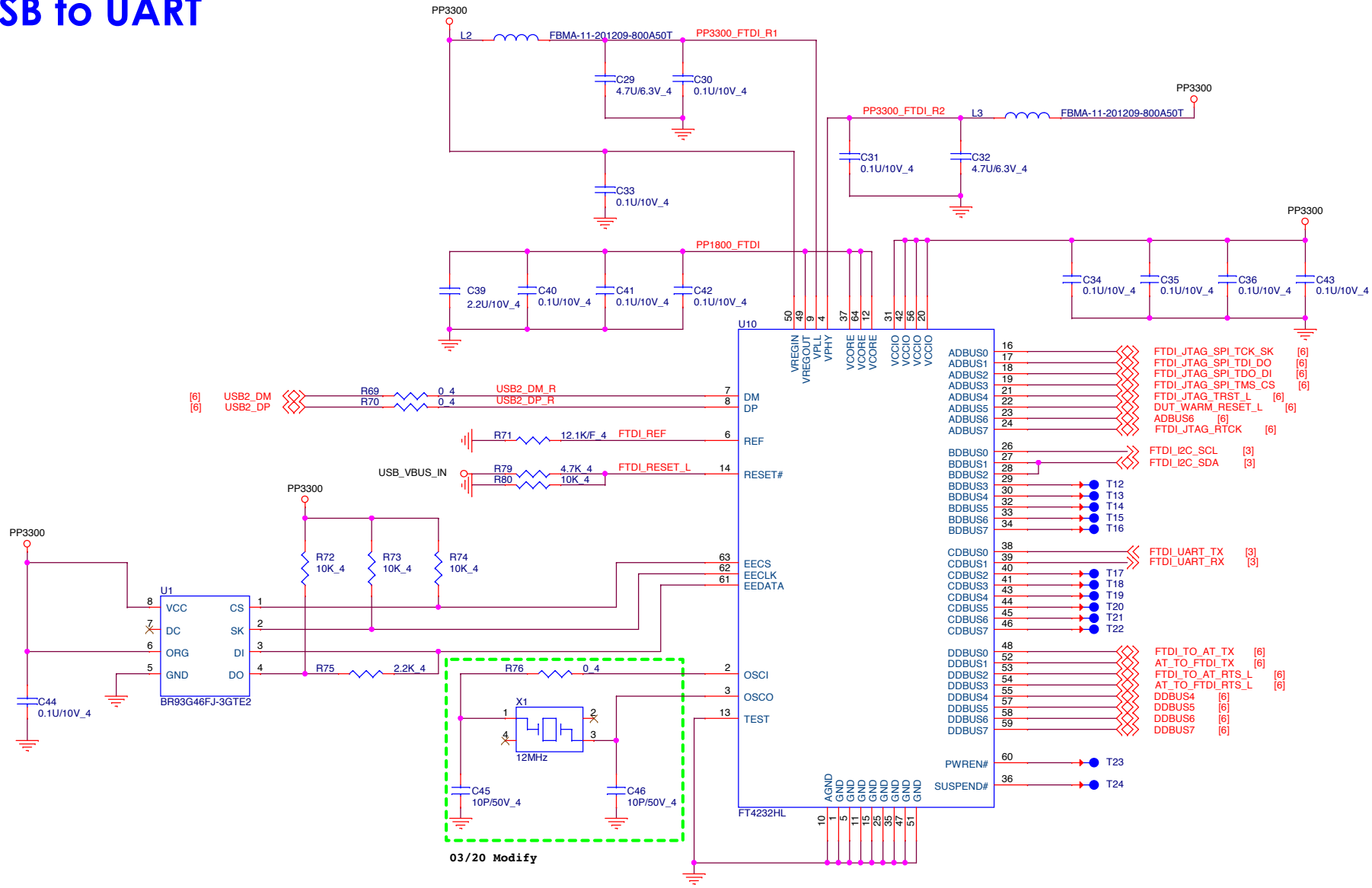
Holes




Analog Switch



USB to UART

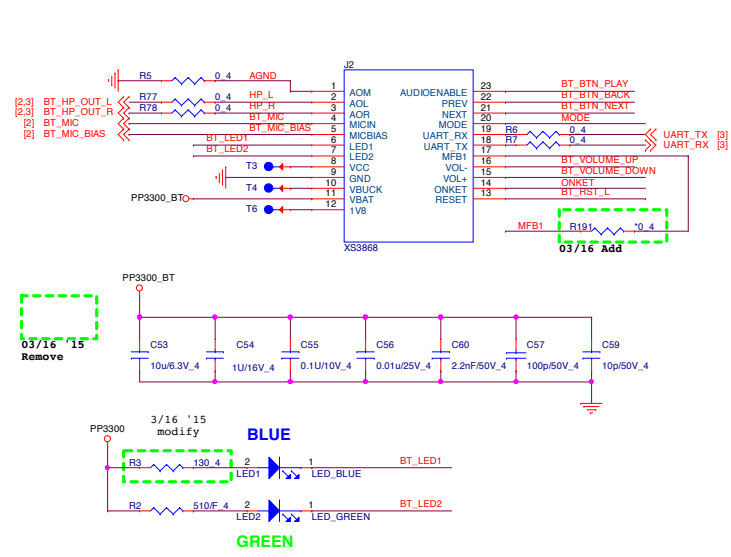




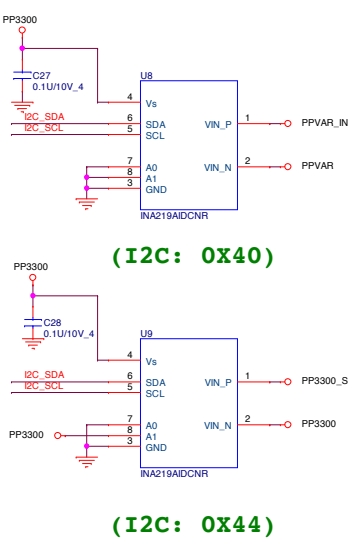
Quanta Computer Inc.
PROJECT : Chameleon B2

Size	Document Number	Rev
	USB to UART	1A
Date:	Friday, March 20, 2015	Sheet 4 of 8

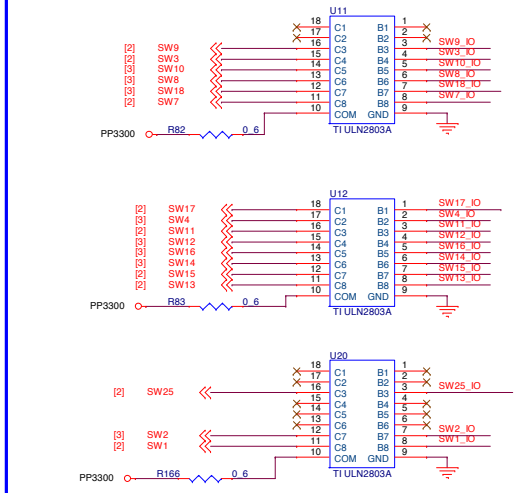
BT Module



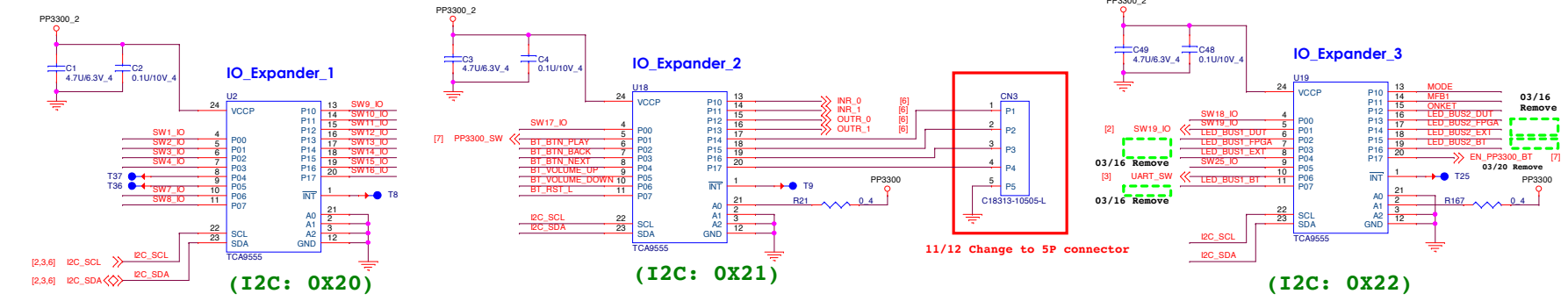
Current/PWR monitor



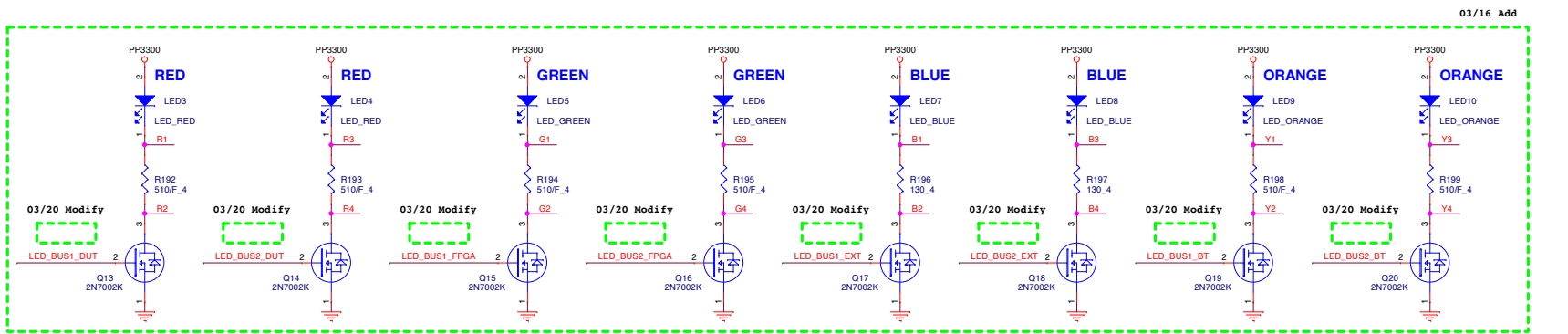
Relay Re-Driver



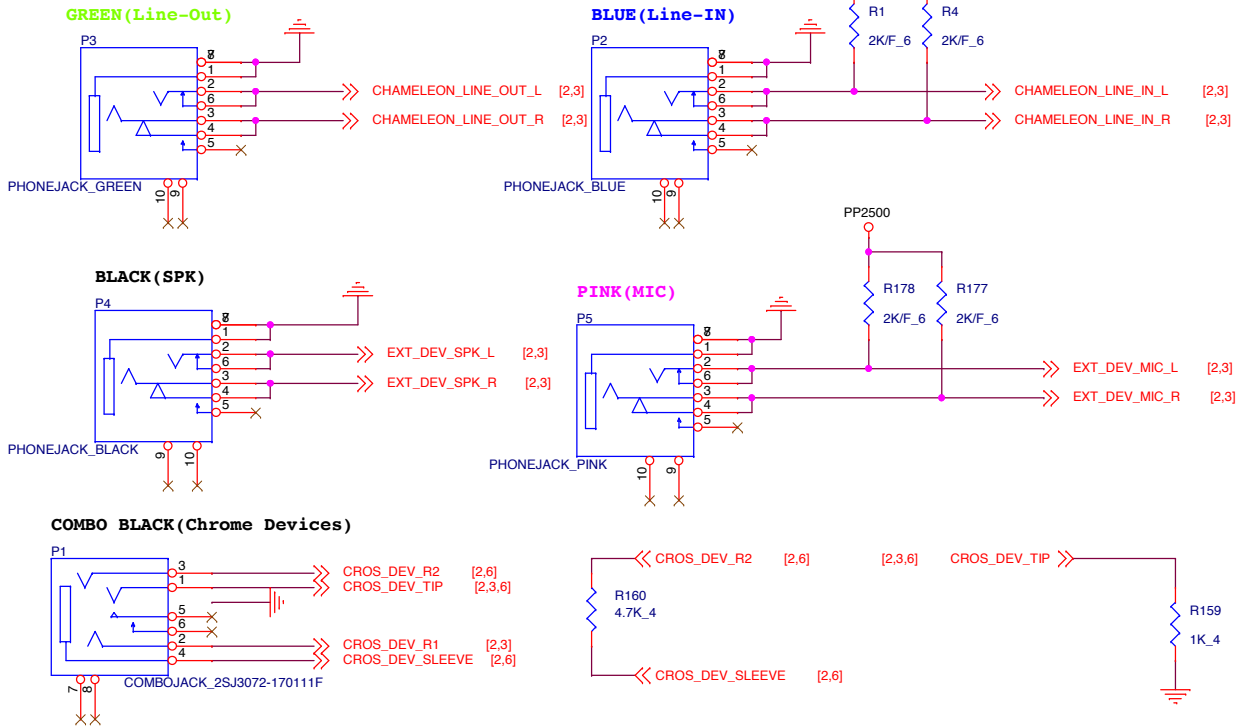
I2C I/O Expander



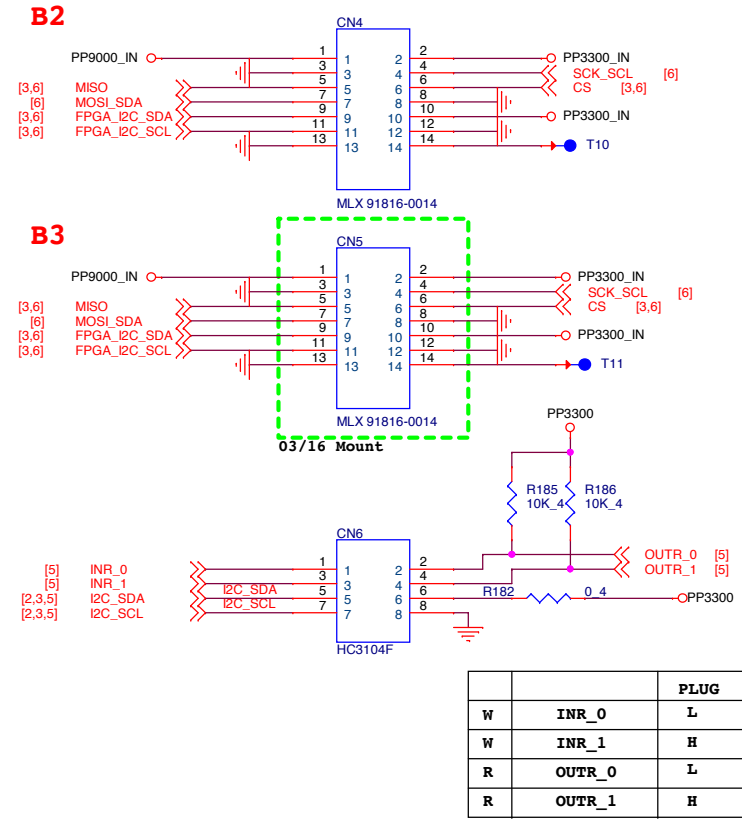
LEDs



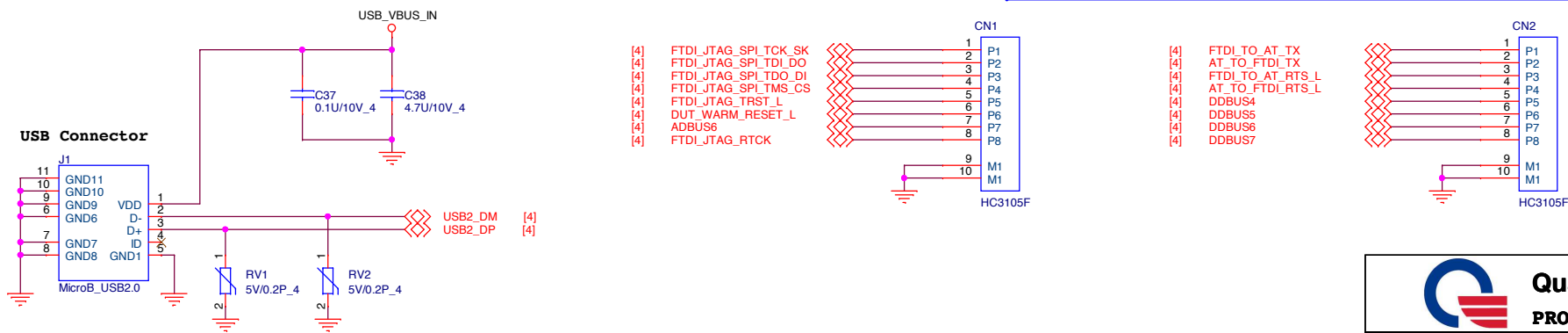
Audio Jacks



External Connectors



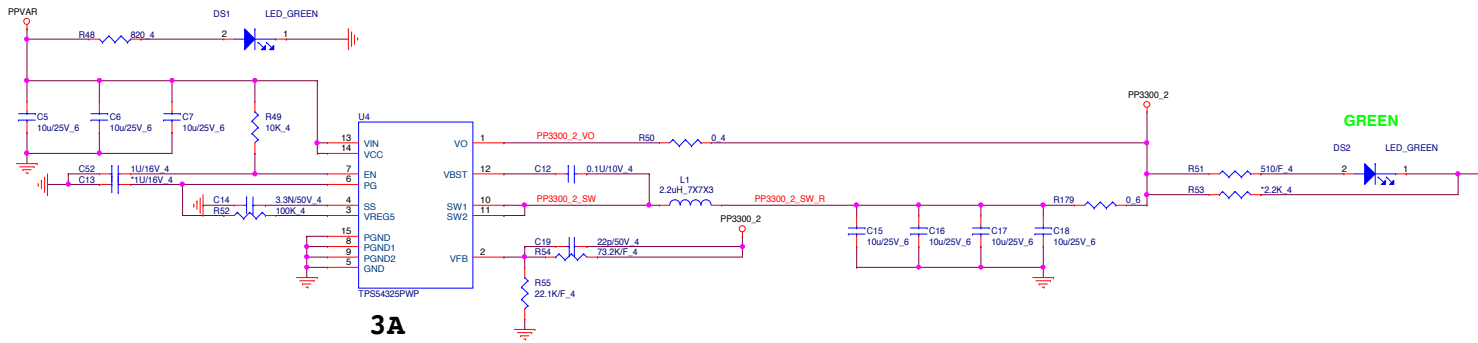
USB to Uart



Buck 3.3V

(5V-9V)

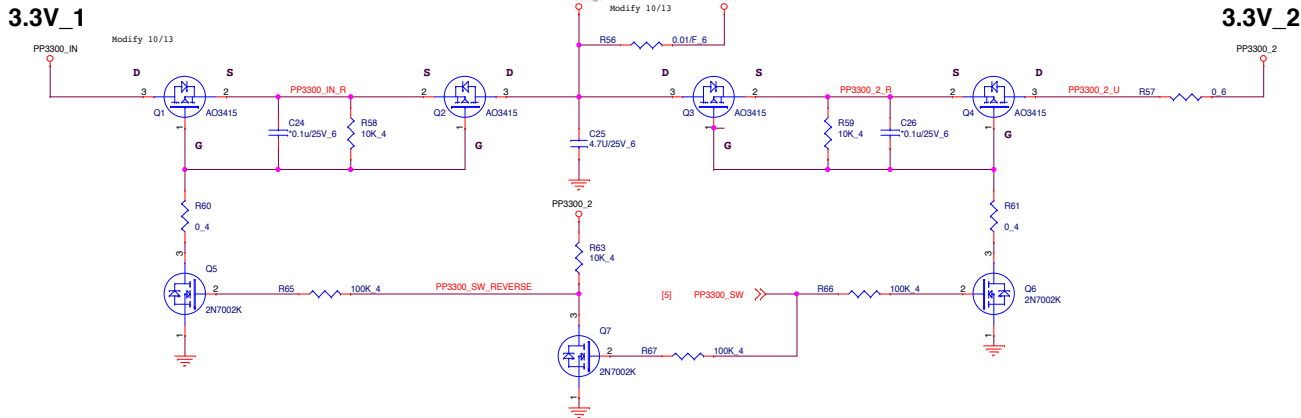
GREEN



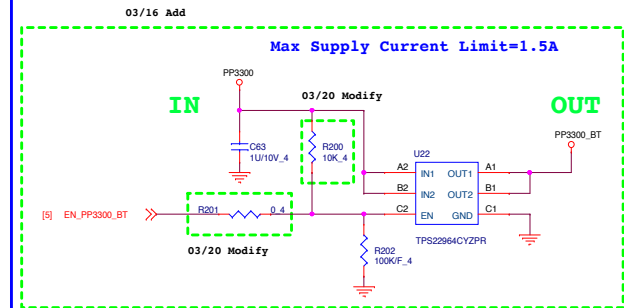
3A

Switch 3.3V

3.5A



Switch 3.3V to BT Module

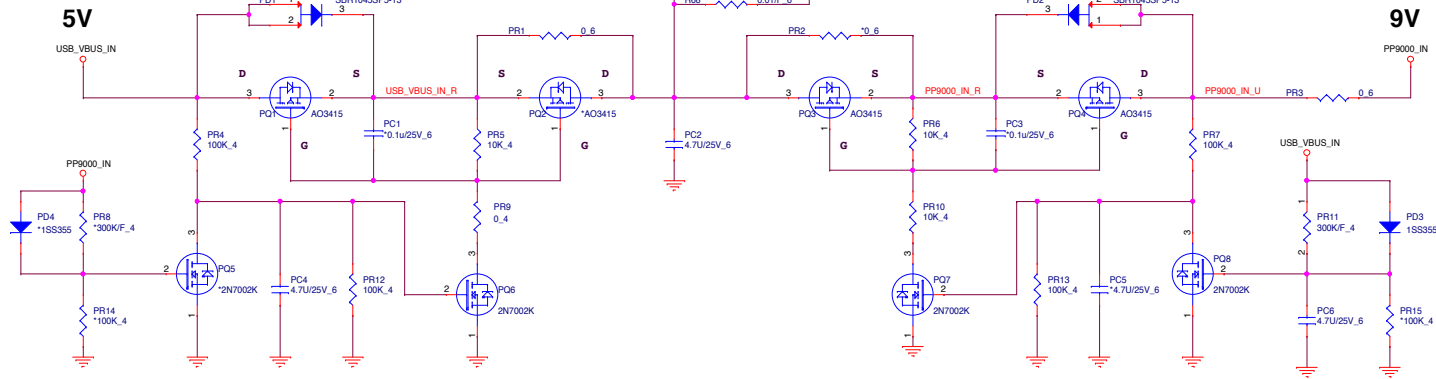


Input 5V/9V

USB_VBUS

3.5A

TYCO 14PIN



LDO 2.5V

0.2A

