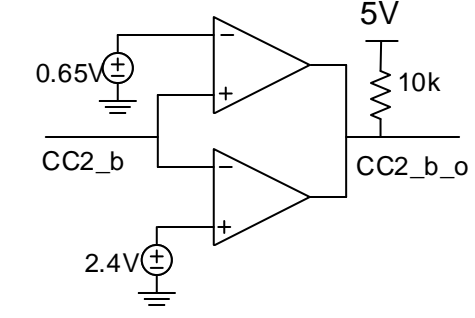
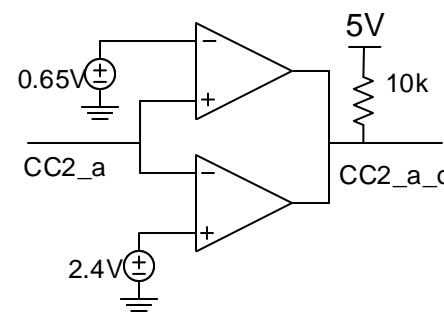
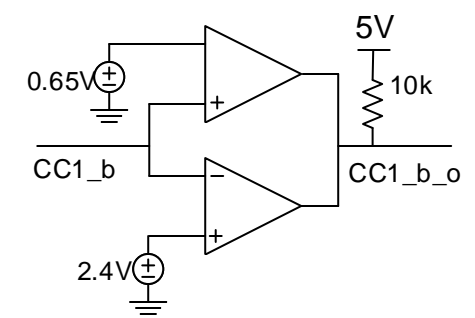
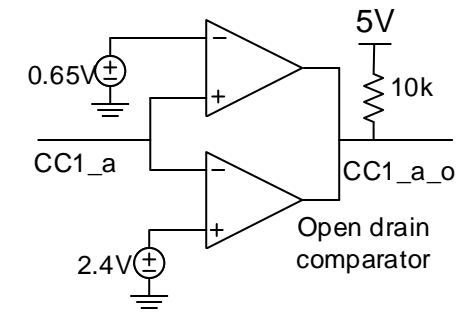
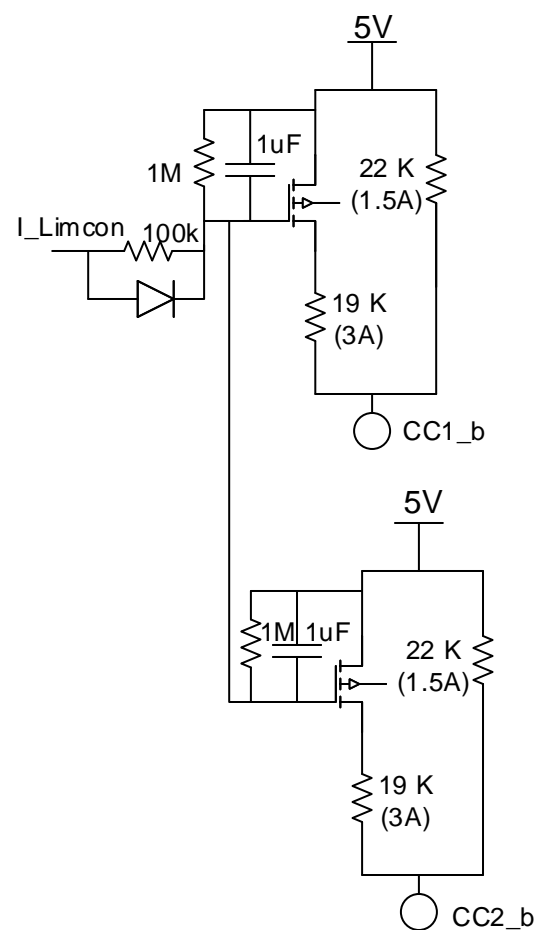
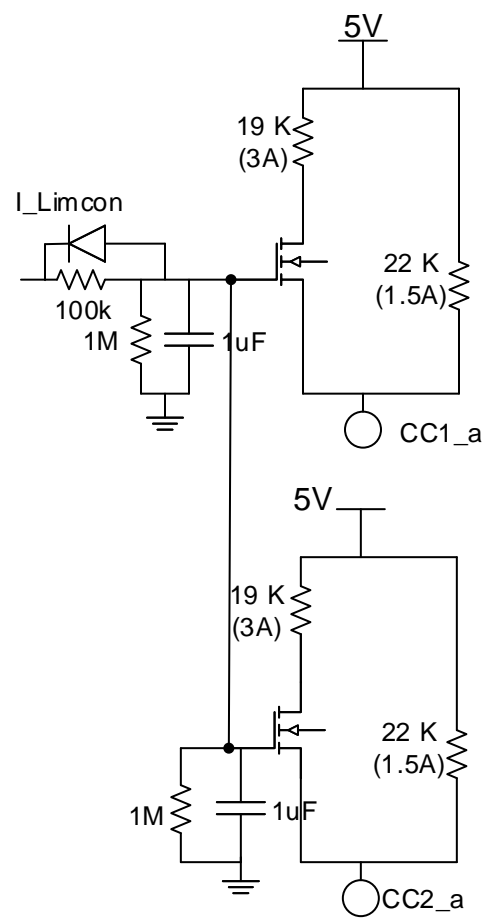
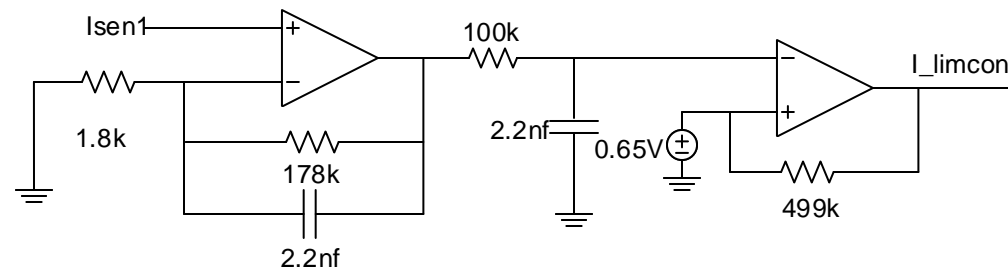
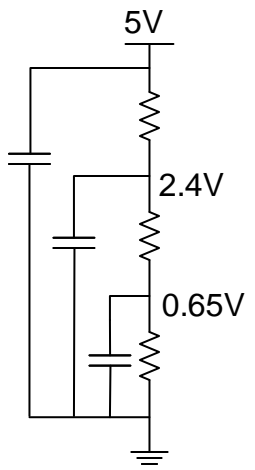
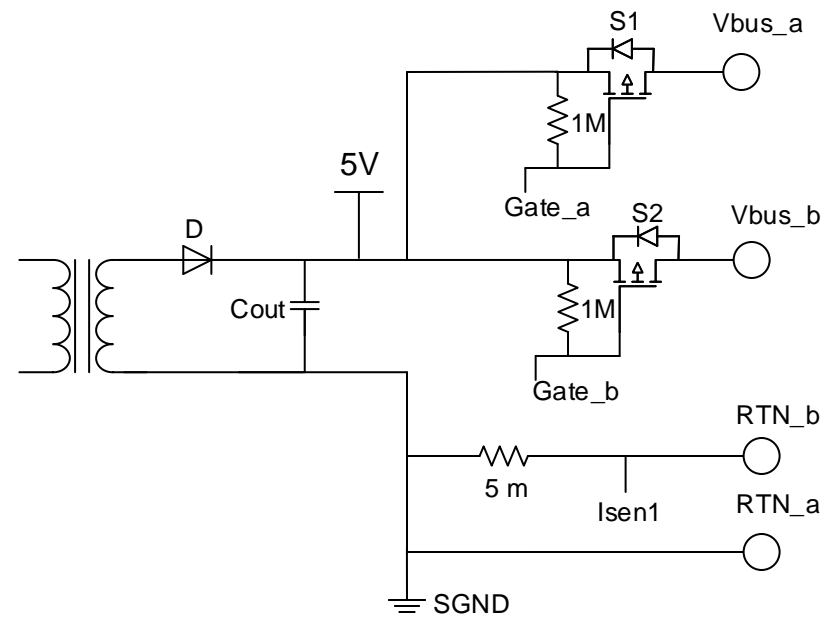
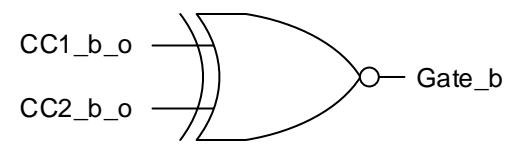
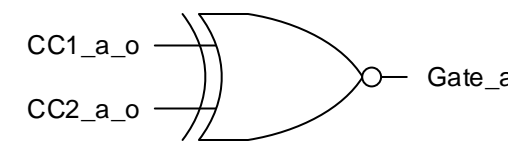


Port A	Port B	Iout_B
1.5A	3A	>1.3A
3A	1.5A	<1.2A

Vbus=4.75~5.5V based on type C spec.



CC1_a	CC1_a_o	Connected Device
<0.8	0	Powered cable w/o UFP
0.8-2	1	UFP
>2	0	Open



CC1_a_o	CC2_a_o	Gate_a	Power on/off
1	1	1	off
1	0	0	on
0	1	0	on
0	0	1	off

THESE MATERIALS (INCLUDING ALL TEXT, SOFTWARE, CODE, DISPLAYS, ARTWORK, AND IMAGES) ARE LICENSED UNDER A CREATIVE COMMONS ATTRIBUTION 2.5 LICENSE