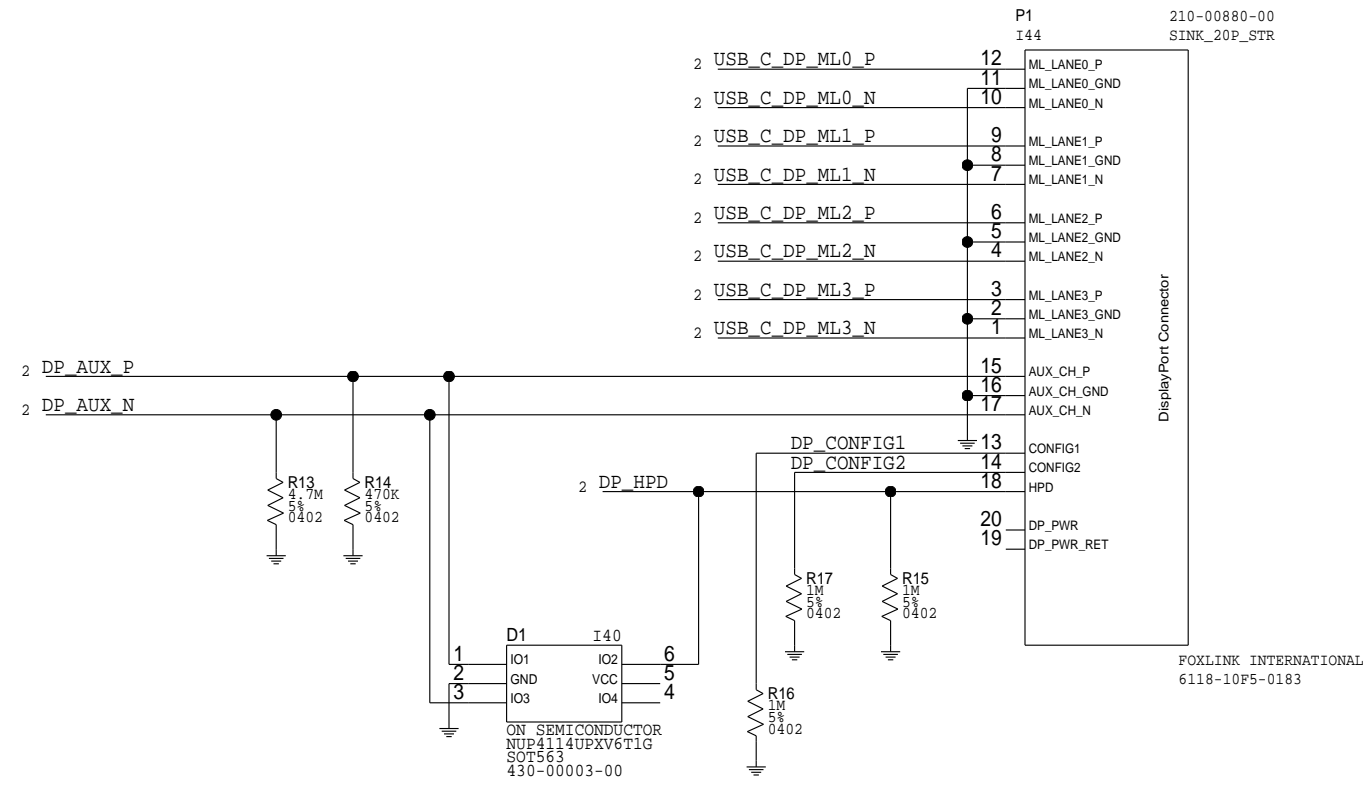


DISPLAYPORT CONNECTOR



3.3V

