

# USB Type-C to DisplayPort Adapter

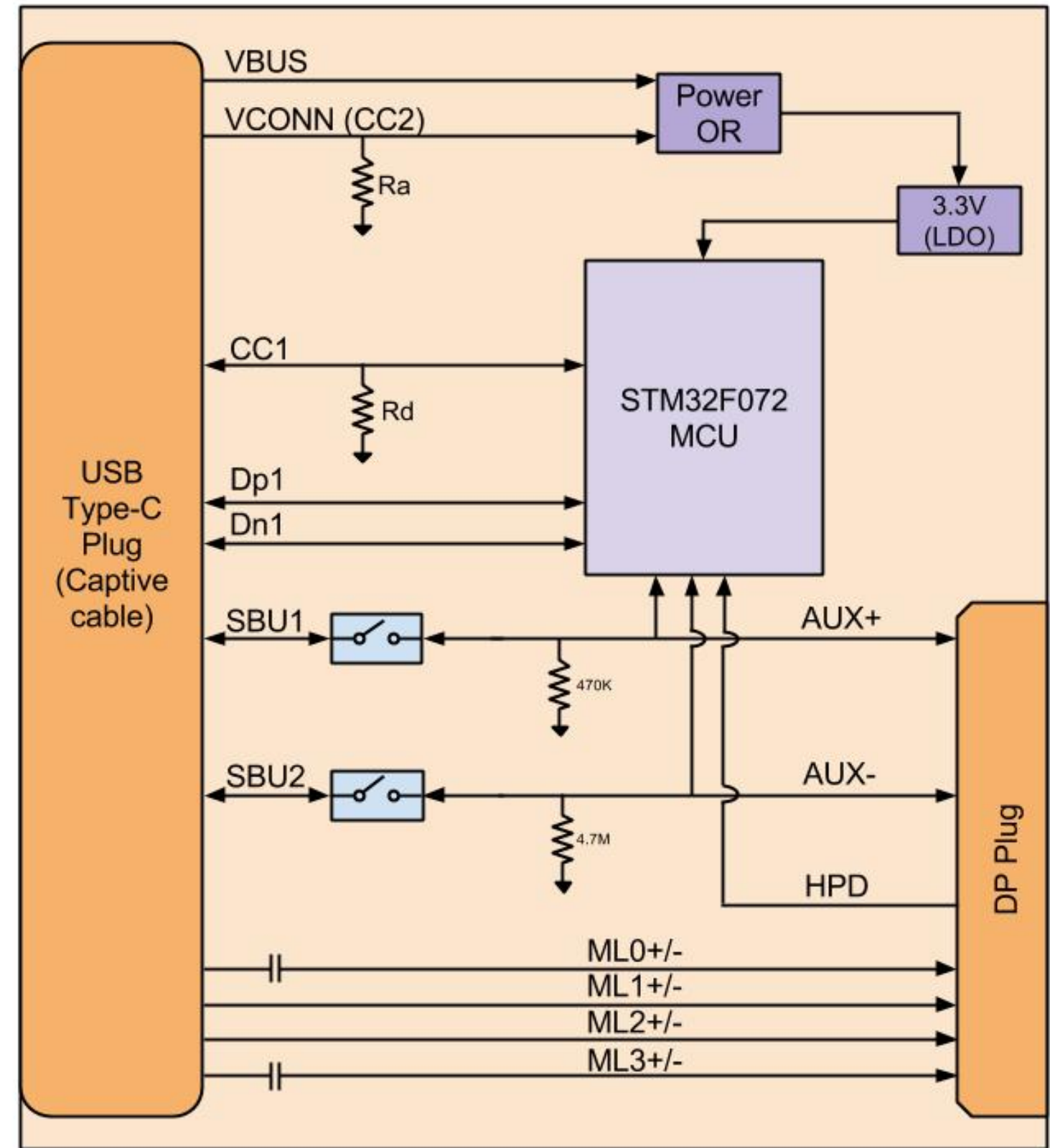
SCH: 810-10117-03

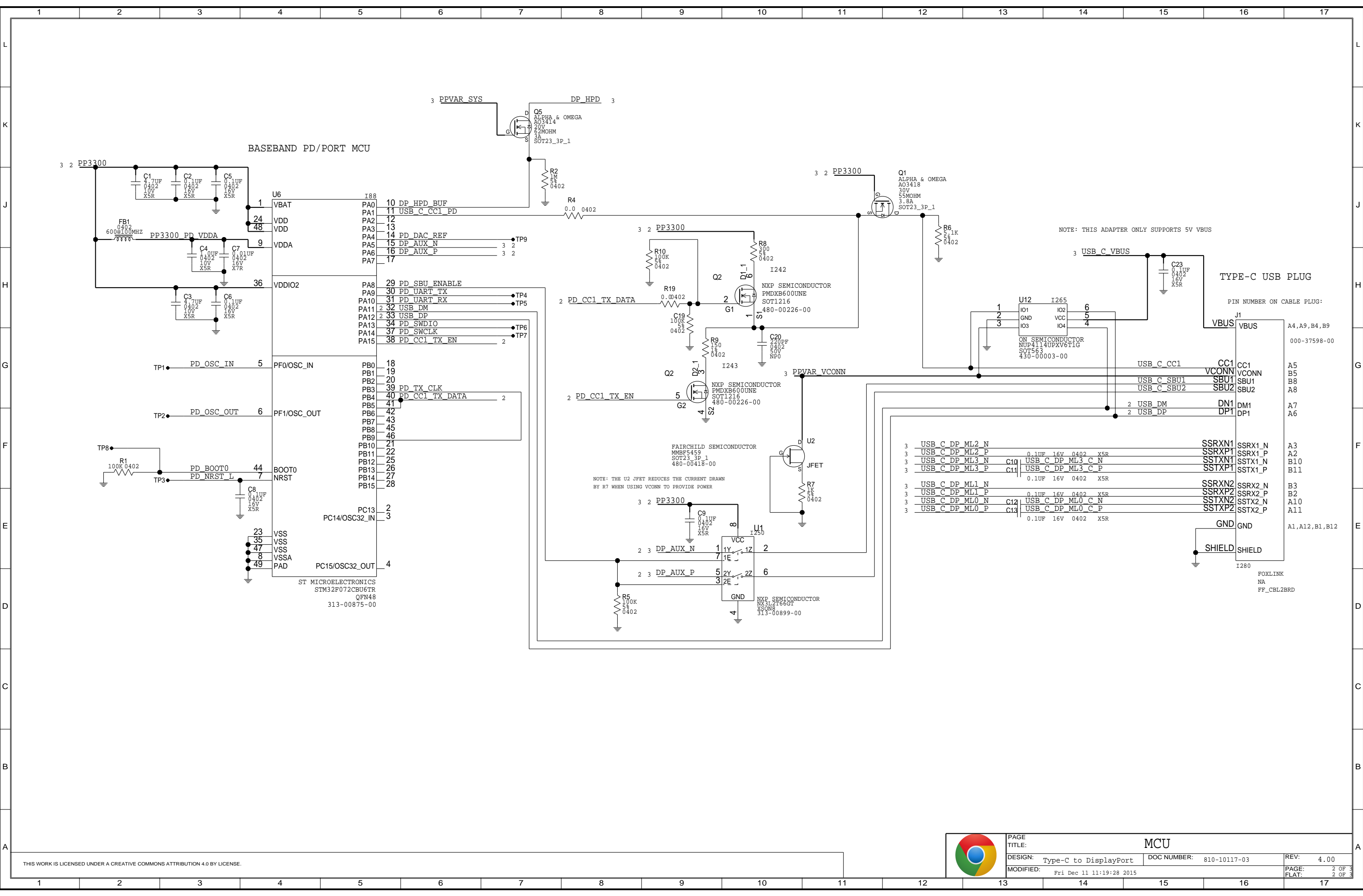
ASSY: 803-10117-03

PCB: 180-10117-07

## TABLE OF CONTENTS

SHEET NO.	SHEET NAME
1	TABLE OF CONTENTS
2	MCU
3	DP/POWER



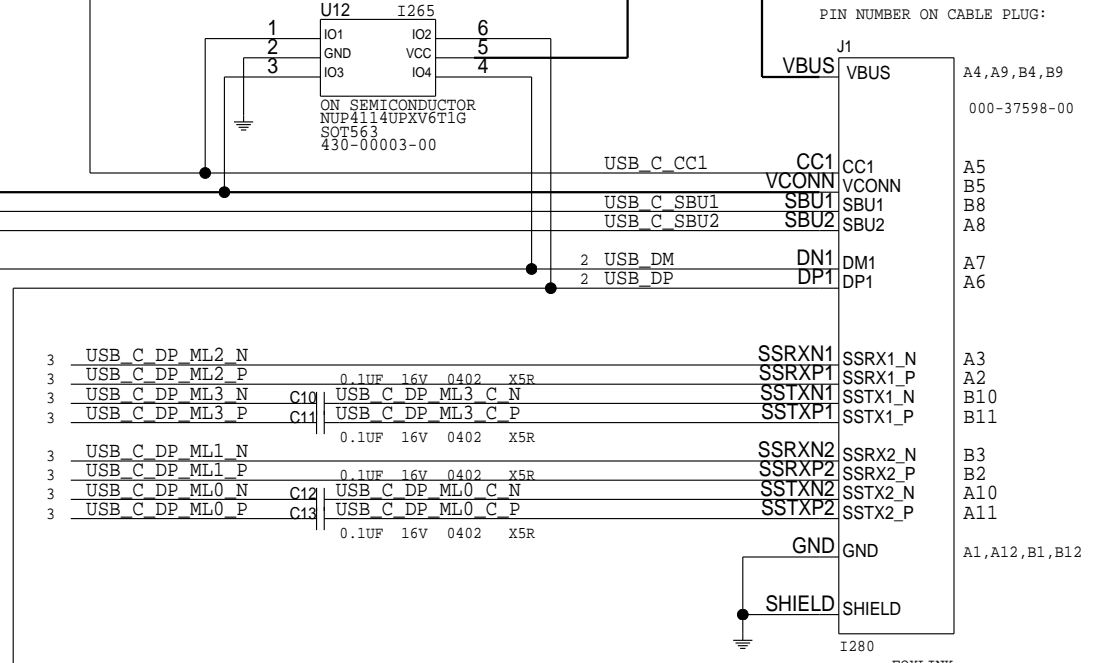


NOTE: THIS ADAPTER ONLY SUPPORTS 5V VBUS

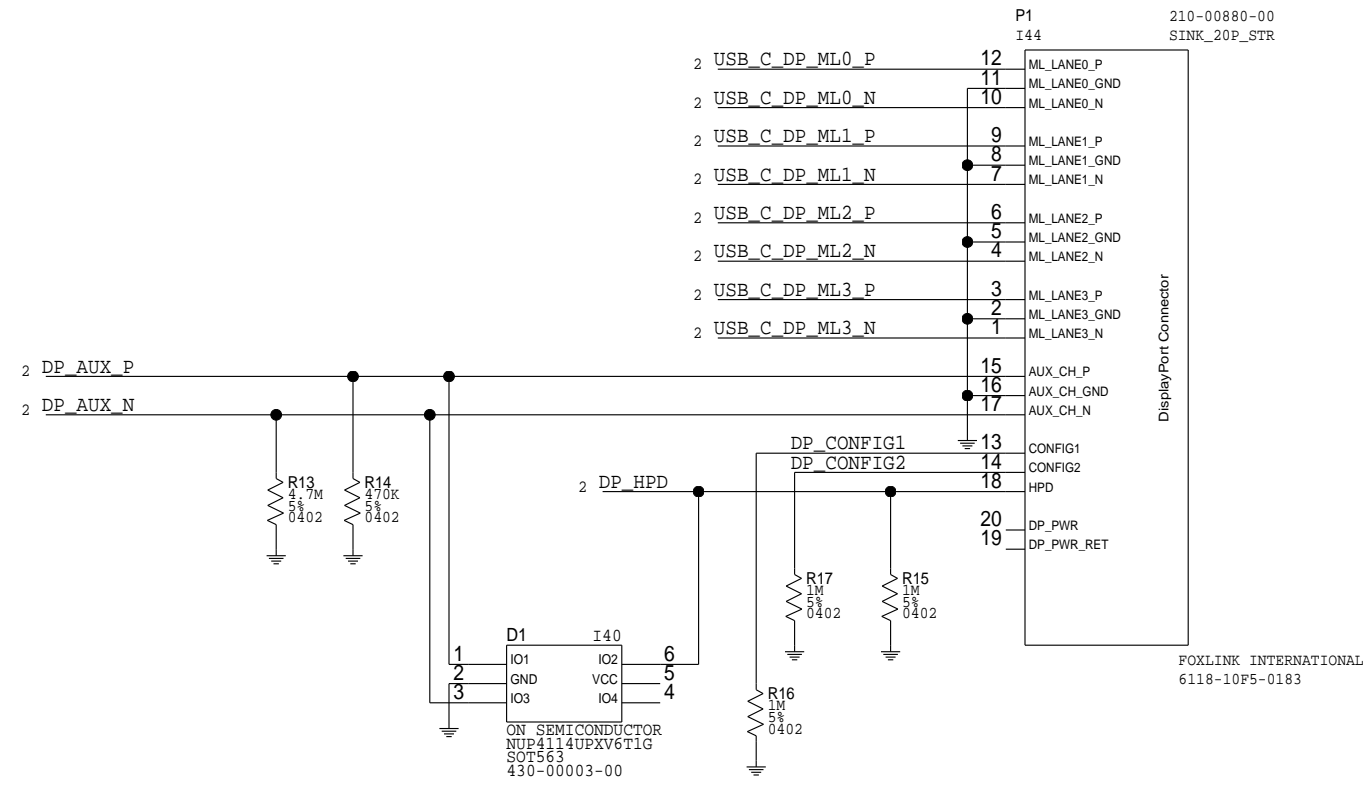
NOTE: THE U2 JFET REDUCES THE CURRENT DRAWN BY R7 WHEN USING VCONN TO PROVIDE POWER

TYPE-C USB PLUG

PIN NUMBER ON CABLE PLUG:



# DISPLAYPORT CONNECTOR



# 3.3V

